

# Spezifikation für Freigabe / specification for release

Kunde / customer :  
 Artikelnummer / part number :

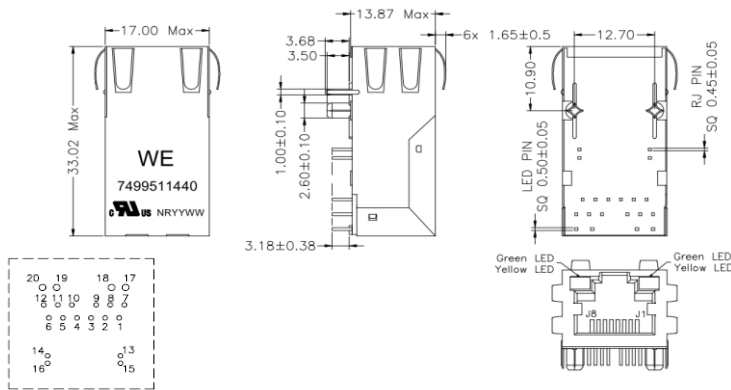
**7499511440**



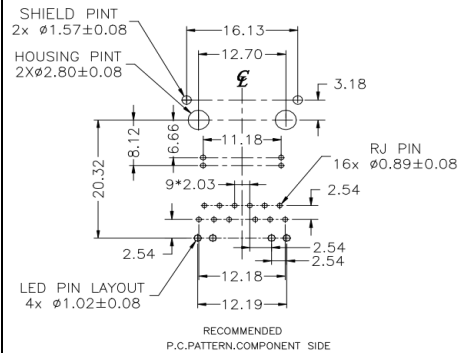
Bezeichnung : **LAN-Übertrager WE-RJ45LAN 10/100/1000 BaseT PoE+**  
 description : **LAN-Transformer WE-RJ45LAN 10/100/1000 BaseT PoE+**

DATUM / DATE : 2014-06-04

## A Mechanische Abmessungen / dimensions :

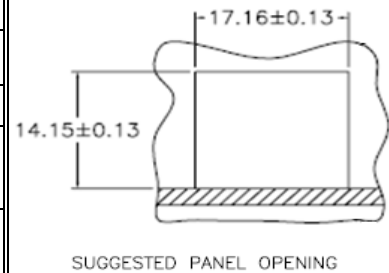


## B Lötpad / soldering spec. :



## C Elektrische Eigenschaften / electrical properties :

Eigenschaften / properties	Testbedingungen / test conditions		Wert / value	Einheit / unit	tol.
Induktivität / Inductance	<b>100kHz / 100mV @ 8mA DC-Bias</b>	OCL	<b>350</b>	µH	min.
Übersetzungsverhältnis / Turns ratio	<b>100kHz / 100mV</b>	TR	<b>1 : 1</b>	Tx	<b>3%</b>
			<b>1 : 1</b>	Rx	
Insertion Loss	<b>1-100MHz</b>	IL	<b>-1,1</b>	dB	max.
Return Loss	<b>1-30MHz @ 100Ω</b>	RL	<b>-16</b>	dB	min.
	<b>60-80MHz @ 100Ω</b>		<b>-12,0</b>		
	<b>80-100MHz @ 100Ω</b>		<b>-10</b>		
Cross Talk	<b>1-100MHz</b>	CT	<b>-30</b>	dB	min.
Common Mode Rejection	<b>1-50MHz</b>	CMR	<b>-30</b>	dB	min.
	<b>50-130MHz</b>		<b>-20</b>		



## D Prüfgeräte / test equipment :

HP4395A

## E Testbedingungen / test conditions :

Luftfeuchtigkeit / humidity: 33%  
 Umgebungstemperatur / temperature: +25°C

## F Werkstoffe & Zulassungen / material & approvals :

Basismaterial / base material: Ferrit/ ferrite  
 Draht / wire: 4UEW 180°C  
 Kontaktmaterial/ contact plating: 100% tin w. nickel underplating  
 30µ"gold plating on contact area  
 Gehäuse / housing: Thermoplastic UL-94V0  
 LED: 1,8-2,8 V/ 14mA  
 Shield: 50µ" nickel  
 over 0.01" cooper alloy

## G Eigenschaften / general specifications :

Betriebstemp. / operating temperature: -40°C - +85°C  
 Hochspannungsprüfung / Hipot test: 1500Vrms 1min.  
 Geeignet für 1000BaseT-Anwendungen gemäß IEEE 802.3at /  
 Compliant with IEEE 802.3at for 1000BaseT

Freigabe erteilt / general release:	<b>Kunde / customer</b>			
			LuRa	Revision 05 2014-06-04
Datum / date	Unterschrift / signature			
	<b>Würth Elektronik</b>		Mle	Revision 04 2014-05-21
Geprüft / checked	Kontrolliert / approved		Mle	Revision 03 2013-04-10
			Mle	Revision 02 2011-10-20
			Mle	Revision 01 2011-09-13
			Mle	Revision 00 2011-08-26
		Name	Änderung / modification	Datum / date

### Würth Elektronik eiSos GmbH & Co.KG

D-74638 Waldenburg · Max-Eyth-Straße 1 - 3 · Germany · Telefon (+49) (0) 7942 - 945 - 0 · Telefax (+49) (0) 7942 - 945 - 400  
 http://www.we-online.com

# Spezifikation für Freigabe / specification for release

Kunde / customer :

Artikelnummer / part number :

**7499511440**

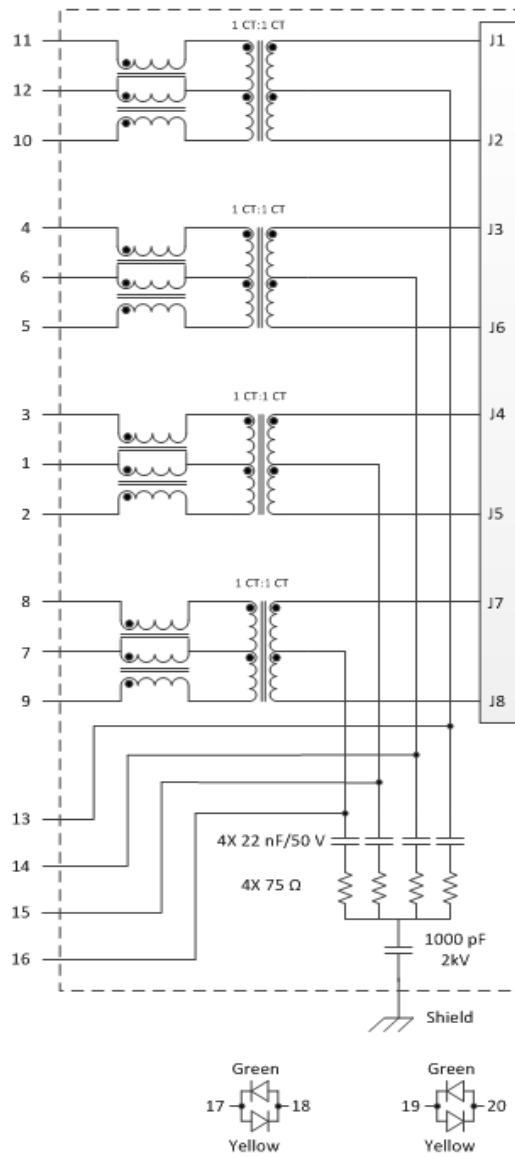


Bezeichnung : LAN-Übertrager WE-RJ45LAN 10/100/1000 BaseT PoE+

description : LAN-Transformer WE-RJ45LAN 10/100/1000 BaseT PoE+

DATUM / DATE : 2014-06-04

## H Schaltbild / Schematics :



		LuRa	Revision 05	2014-06-04
Datum / date	Unterschrift / signature	Mle	Revision 04	2014-05-21
	<b>Würth Elektronik</b>	Mle	Revision 03	2013-04-10
		Mle	Revision 02	2011-10-20
		Mle	Revision 01	2011-09-13
		Mle	Revision 00	2011-08-26
Geprüft / checked	Kontrolliert / approved	Name	Änderung / modification	Datum / date

### Würth Elektronik eiSos GmbH & Co.KG

D-74638 Waldenburg · Max-Eyth-Straße 1 - 3 · Germany · Telefon (+49) (0) 7942 - 945 - 0 · Telefax (+49) (0) 7942 - 945 - 400  
<http://www.we-online.com>

# Spezifikation für Freigabe / specification for release

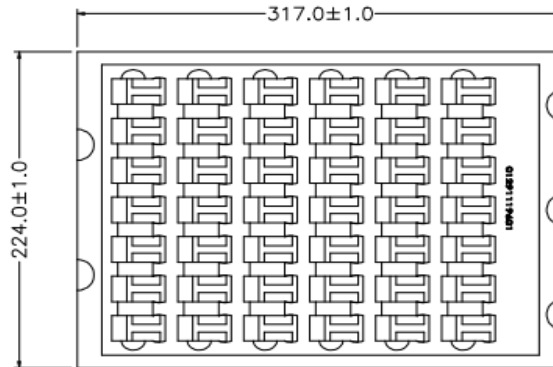
Kunde / customer :  
 Artikelnummer / part number : **7499511440**  
 Bezeichnung : **LAN-Übertrager WE-RJ45LAN 10/100/1000 BaseT PoE+**  
 description : **LAN-Transformer WE-RJ45LAN 10/100/1000 BaseT PoE+**



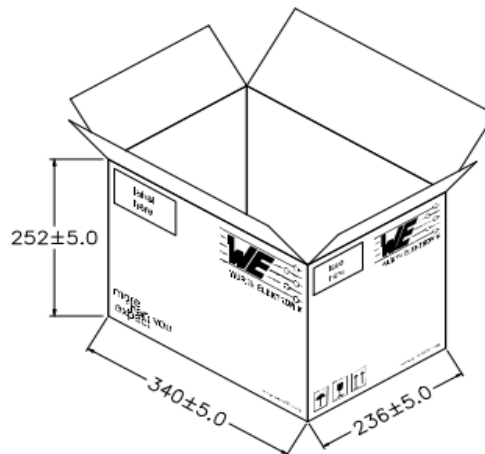
DATUM / DATE : 2014-06-04

## I Verpackungsspezifikation / package specification :

Tray



Carton



PACKAGING QUANTITY:  
 42pcs Finished Goods / Tray  
 12 Tray (504pcs Finished Goods) / Carton

### dimensions in mm

Freigabe erteilt / general release:	<b>Kunde / customer</b>			
.....	.....	LuRa	Revision 05	2014-06-04
Datum / date	Unterschrift / signature	Mle	Revision 04	2014-05-21
.....	<b>Würth Elektronik</b>	Mle	Revision 03	2013-04-10
Geprüft / checked	Kontrolliert / approved	Mle	Revision 02	2011-10-20
.....	.....	Mle	Revision 01	2011-09-13
.....	.....	Mle	Revision 00	2011-08-26
		Name	Änderung / modification	Datum / date

This electronic component has been designed and developed for usage in general electronic equipment. Before incorporating this component into any equipment where higher safety and reliability is especially required or if there is the possibility of direct damage or injury to human body, for example in the range of aerospace, aviation, nuclear control, submarine, transportation, (automotive control, train control, ship control), transportation signal, disaster prevention, medical, public information network etc, Würth Elektronik eiSos GmbH must be informed before the design-in stage. In addition, sufficient reliability evaluation checks for safety must be performed on every electronic component which is used in electrical circuits that require high safety and reliability functions or performance.

### Würth Elektronik eiSos GmbH & Co.KG

D-74638 Waldenburg · Max-Eyth-Straße 1 - 3 · Germany · Telefon (+49) (0) 7942 - 945 - 0 · Telefax (+49) (0) 7942 - 945 - 400  
<http://www.we-online.com>